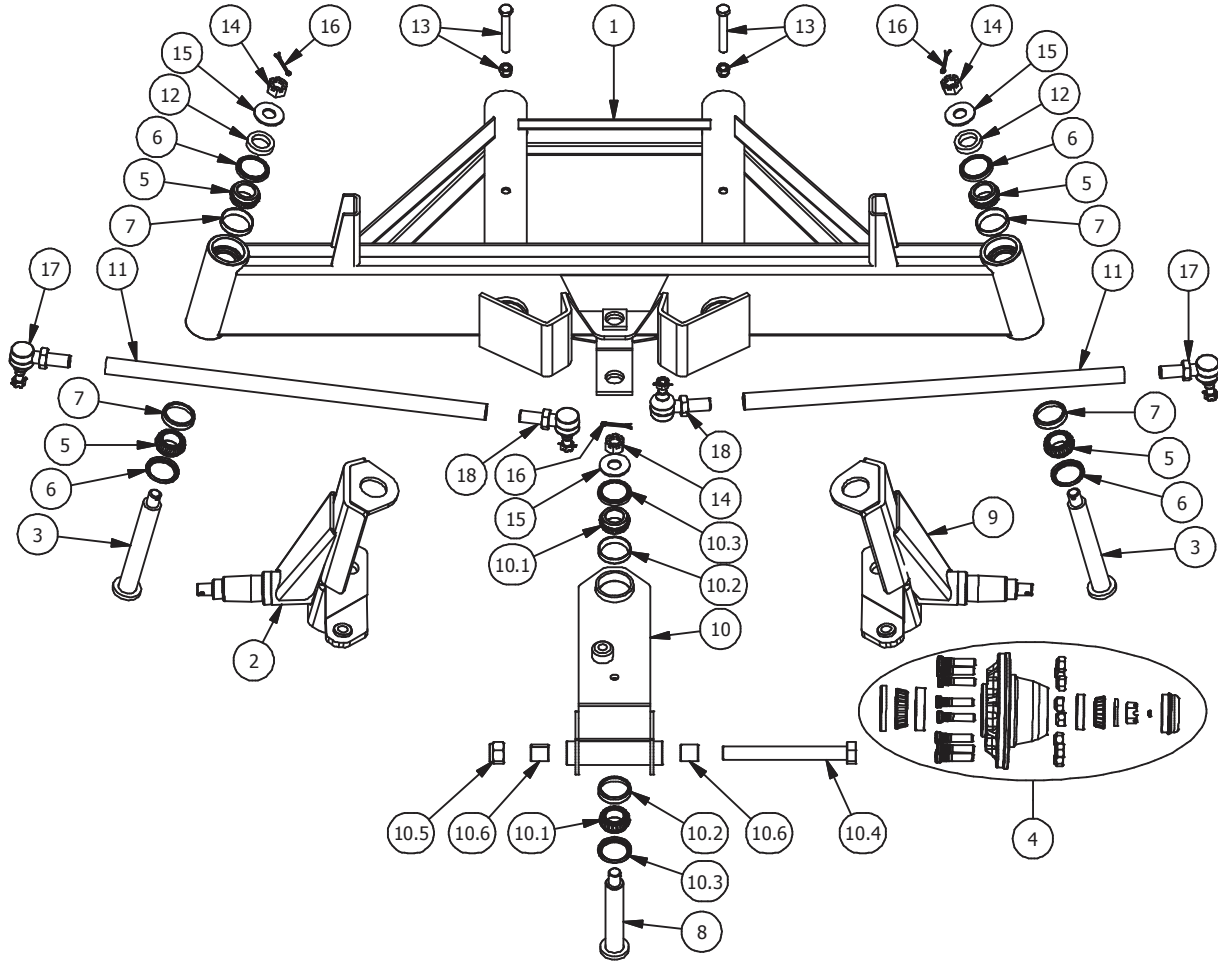


2004/2005/2006/2007/2008/2009/2010

# MODEL 275 FRONT AXLE ASSEMBLY

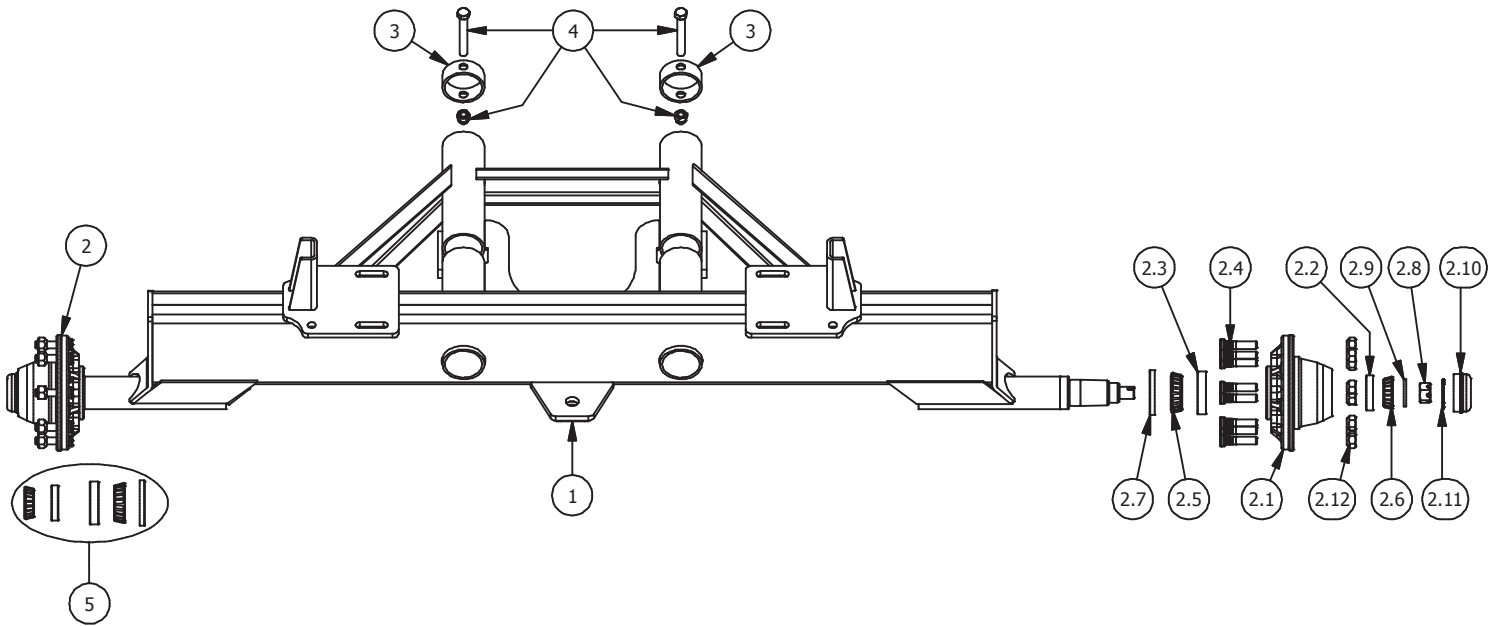
# HORST WAGONS



Parts List			
ITEM	QTY	PART NUMBERS	DESCRIPTION
1	1	22-1428	275 Front Axle Assembly
2	1	11-1426	Front Spindle Assembly (Right)
3	2	22-1374	Spindle Pin Assembly
4	2	33-1123	8000 lb Hub c/w Parts
5	4	11-1010	Cone (13686)
6	4	11-1011	Seal (CR20952)
7	4	11-1009	Cup (13620)
8	1	22-1055	Timkin Bolt
9	1	11-1427	Front Spindle Assembly (Left)
10	1	22-1397	205 Tongue Bracket Assembly
10.1	2	11-1010	Cone (13686)
10.2	2	11-1009	Cup (13620)
10.3	2	11-1011	Seal (CR20952)
10.4	1	11-1059	1-1/8 x 10-3/8 Bolt Gr.2
10.5	1	11-1060	1-1/8 Lock Nut
10.6	2	11-1054	Bushing(1-3/8 x 1-1/8 x 1-1/2)
11	2	22-1530	Tie Rod (32")
12	2	22-1529	Spacer Bushing (1.5" ID x 2.25" OD x .5")
13	2	11-1025	5/8 x 4 1/2 Hex Bolt & Locknut
14	3	11-1081	1" Heavy Hex Slotted Nut
15	3	11-1376	1" Washer
16	3	11-1016	3/16 x 2 Cotter Pin
17	2	11-1103	ES176XHD Rod End R Thread
18	2	11-1104	ES176XHD Rod End L Thread

2004/2005/2006/2007/2008/2009/2010  
**MODEL 275 REAR AXLE ASSEMBLY**

**HORST  
 WAGONS**



Parts List			
ITEM	QTY	PART NUMBERS	DESCRIPTION
1	1	22-1429	275 Rear Axle Assembly
2	2	33-1123	8000 lb Hub c/w Parts
2.1	1	11-1122	8000 lb Hub
2.2	1	11-1127	[Cup (LM501310)]
2.3	1	11-1126	[Cup (JLM506810)]
2.4	8	11-1130	0.625in Press-in Wheel Bolt
2.5	1	11-1125	[Cone(25590)]
2.6	1	11-1128	[Cone(25877)]
2.7	1	11-1124	[Seal(CR20148)]
2.8	1	11-1081	Slotted Hex Nut
2.9	1	11-1132	1in Washer EM-8000
2.10	1	11-1129	8,000 lb Dust Cover
2.11	1	11-1016	3/16 x 2 Cotter Pin
2.12	8	11-1131	5/8" Wheel Nut
3	2	22-1024	Retainer Ring
4	2	11-1025	5/8 x 4 1/2 Hex Bolt & Locknut
5	2	33-1559	Bearing & Seal Kit for 8000lb Hub